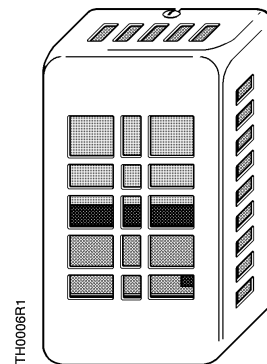


# Powers™ Controls

## Thermostat Guard Kit



<b>Description</b>	These thermostat guard kits are used with the Powerstar thermostat line. The kits contain the guard, mounting plate, and screws.	
<b>Features</b>	A slotted guard is available for Day/Night type thermostat where external manipulation of the manual reset lever is desired.	
<b>Specifications</b>	Guard cover	1/16-inch (1.6 mm) steel
	Dimensions in inches (millimeters)	4-3/4 H x 2-3/4 W x 1-7/8 D (120H x 70W x 46D)
	Shipping weight	0.7 lb (0.33 kg)
	Color	Desert beige
<b>Application</b>	This guard provides protection from accidental physical damage for thermostats installed in hazardous locations. Its use will discourage casual tampering, but it is not truly vandalproof. For high security areas, use a concealed aspirating box (192-070), or a lockable thermostat cover (141-570).	

### Product Numbers

Table 1.

Description	Product Number
Guard kit for single temperature and heating/cooling type thermostat	182-621
Guard kit for Day/Night type thermostat with exposed manual reset lever	182-624

<b>Mounting</b>	The guard kits may be used with all types of wall surfaces including plaster, brick, tile, cement block, and drywall, roughing-in as described in <i>TB-145</i> (P/N 155-210P25) and <i>TB-237</i> (P/N 155-244P25).
-----------------	--

## Installation

Install guard kit after roughing-in and after finished wall surface is up.

Use the wall mounting holes (Figure 1) to mount the plate for the most rigid mounting. This requires drilling two additional holes for an anchoring device and No. 10 screws.

Use guard mounting plate screws (Item 3, Figure 1 and Table 2) when rough-in terminal does not have a wall box.

This guard cannot be used with the exposed air connections.

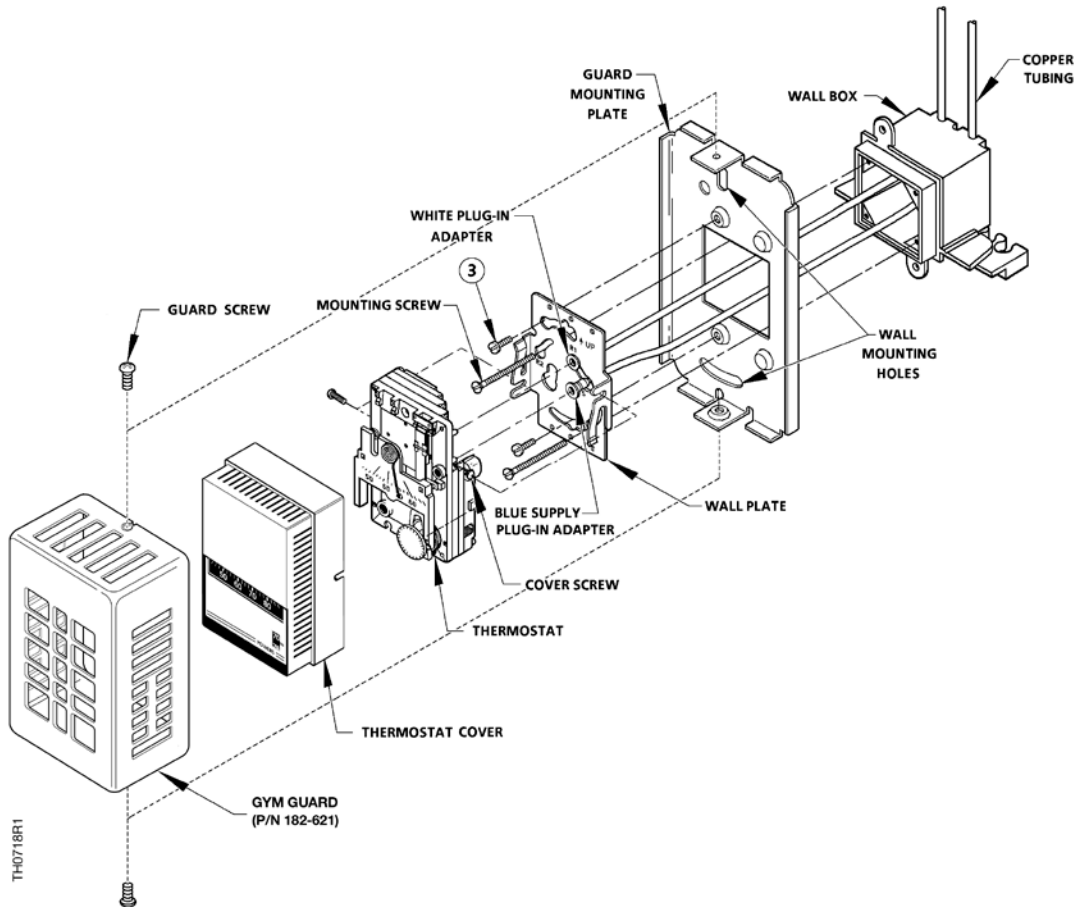


Figure 1. Installing the Thermostat Guard Kit.

Table 2. Thermostat Guard Kit.

Item	Description	Required	Material
1	Guard Cover	1	Steel
2	Guard Screw 8-32 x 5/16 Phillips Pan Head Screw	2	Brass
3	Guard Mounting Plate Screws 6-32 x 3/16 Pan Screw	2	Steel
4	Guard Mounting Plate	1	Steel

Information in this publication is based on current specifications. The company reserves the right to make changes in specifications and models as design improvements are introduced. Powers is a registered trademark of Siemens Industry, Inc. Product or company names mentioned herein may be the trademarks of their respective owners. © 2002 Siemens Industry, Inc.